

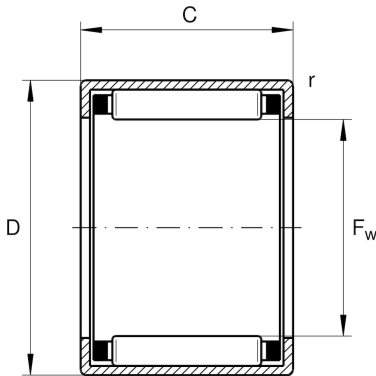
HK1312-AS1-B

Drawn cup needle roller bearing open end

Schaeffler ID:
0000606150000

Drawn cup needle roller bearing open end
HK...AS1-B, single row, with cage

Technical information



Main Dimensions & Performance Data

F_w	13 mm	Under roller diameter
D	19 mm	Outside diameter
C	12 mm	Width
C_r	6.800 N	Basic dynamic load rating, radial
C_{0r}	7.900 N	Basic static load rating, radial
C_{ur}	960 N	Fatigue load limit, radial
n_G	18.700 1/min	Limiting speed
$n_{G \text{ Grease}}$	11.200 1/min	Limiting speed for grease lubrication
n_{gr}	14.400 1/min	Reference speed
	10 g	Weight

Dimensions

C_1	12 mm	Width, outer ring
r_{\min}	0,8 mm	Minimum chamfer dimension

Temperature range

T_{\min}	-30 °C	Operating temperature min.
T_{\max}	140 °C	Operating temperature max.

Additional information

	G13X19X3	Sealing ring 2
	LR10X13X12,5	Suitable inner rings LR
	IR10X13X12,5-XL	Suitable inner rings IR